



Keyscan's USB-CAM makes photo identification easier than ever. With plug and play capability to Keyscan's Photo Identification (K-BADGE) or Visitor Management (K-VIS) software modules, the USB-CAM allows users to capture photos directly from the System VII software. Eliminating the need to search for photo files, the USB-CAM saves time and creates a seamless solution for photo identification.

FEATURES

- Fully integrated with Keyscan's System VII (K-BADGE or K-VIS required) to capture photos directly from cardholder screen.
- CCD sensor provides optimal image quality
- Still image capture with streaming video
- Flexible gooseneck arm allows for easy camera control
- Small footprint saves table space
- USB 2.0 bus provides power and camera video feed
- Software
 - TWAIN compliant

Keyscan's complete photo identification solution includes:

Photo Capture	USB-CAM
Evolis Card Printers	VB-P408 VB-P408DBL (Double sided printer)
Photo ID software	K-BADGE
Visitor Management software	K-VIS

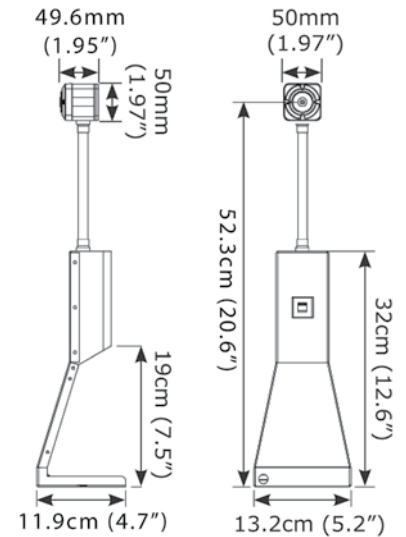


USB-CAM

USB, Color Camera for Photo Identity Systems

SPECIFICATIONS

ELECTRICAL	
Image Sensor	1/4" IL CCD
Active Pixels (HxV)	768 x 494
Viewer Display	(USB 2.0, 30fps)720 x 480 pixels max
Sensitivity	< 0.5 Lux
Signal To Noise Ratio	> 48 dB (AGC off)
Gamma	0.45 default
Gain Control	Automatic 36 dB (AGC default)
Scan Mode	Interlaced / Non Interlaced selectable
Back Light Compensation	Default off
White Balance Mode	AWB auto white mode
Contour Enhancement	Default on
Iris Control	CCD Iris default
Shutter Speeds	Automatic from 1/60 to 1/100,000
Control Communication	Camera control via USB bus
Power Supply	5VDC via USB bus
Power Consumption	< 1.3 W



ENVIRONMENTAL	
Operating Temp.	-15° C to + 55° C (5° F to + 131° F)
Operating Humidity	20% up to 93% RH
Storage Temp.	-25° C to + 70° C (-13° F to + 158° F)
Storage Humidity	Up to 98% RH

MECHANICAL	
Dimensions (WxHxD)	13.2cm x 52.3cm x 11.9cm (5.2" x 20.6" x 4.7") (from center of camera to bottom of base)
Weight	2.1kg (4.8 lbs)
Cable Included	6 ft. USB 2.0
Lens	Fixed 6mm f2.0
Lens Mount	CS

SOFTWARE		
Viewer Software	<ul style="list-style-type: none"> • K-BADGE • K-VIS 	
Recommended System Requirements		
Hardware	Pentium Dual Core	2.2GHz +, 100GB hard drive, Intel USB 2.0 Host controller
Operating Systems	Windows 7	32 bit, and 64 bit
	Windows Vista	32 bit
	Windows XP	Service pack 3 +, DirectX 9.0c or above

KEYSCAN INC.

901 Burns Street East, Whitby, Ontario L1N 6A6
 Phone: 905.430.7226 Toll Free: 1.888.539.7226 Fax: 905.430.7275
 www.keyscan.ca

Keyscan Inc. reserves the right to alter designs and specifications without notice or obligation